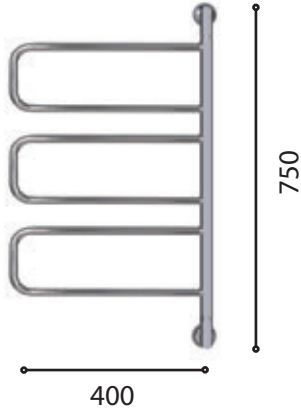


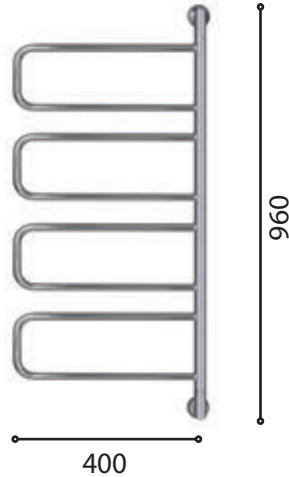
HEATED SWIVEL TOWEL RAIL

HSW - 3 Model



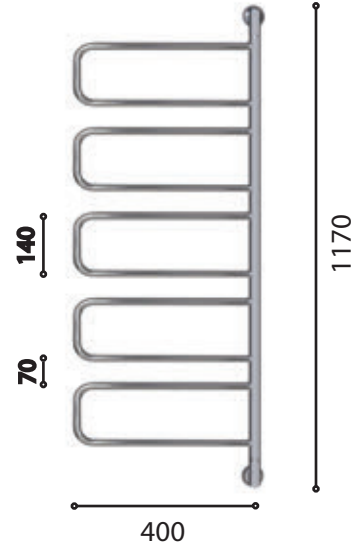
HEIGHT: 750mm
 WIDTHS: 400mm
 FINISH: Chrome / Powder Coat
 WATTAGE: 40 - Watt
 TUBE DIAMETER: 25mm / 19mm

HSW - 4 Model



HEIGHT: 960mm
 WIDTH: 400mm
 FINISH: Chrome / Powder Coat
 WATTAGE: 70 - Watt
 TUBE DIAMETER: 25mm / 19mm

HSW - 5 Model



HEIGHT: 1170mm
 WIDTHS: 400mm
 FINISH: Chrome / Powder Coat
 WATTAGE: 100 - Watt
 TUBE DIAMETER: 25mm / 19mm

FEATURES

Replaceable Element	Heating element easily replaced
Space Maximising	Swivel element allows for maximum space utilisation
Copper Tube	Ensures ultimate thermal conductivity and radiation. Note: arms do not move independently
Local Product	100% Australian owned and manufactured

SPECIFICATIONS

Model	Electric / Non- Electric
Materials	Made entirely from Copper Tube with Brass Fittings
Element	Low wattage, replaceable water element
Power Cable	Bottom of unit through wall bracket only
Safety rating	IPX5 (allows for installtion in zone 1 & 2 of bathroom)
Finish	High Polish Chrome Plate
Standards	AS/NZS:3350

Warning:

This appliance is not intended for use by young children or infirm persons without supervision. Young children should be supervised to ensure they do not play with this appliance

Caution:

The cord extension set must be positioned so that it is not subject to splashing or ingress of moisture . The supply shall have means for disconnection with an air gap in all active conductors incorporated in the fixed wiring according to the Wiring Rules in AS/NZS 3000:2000



INSTALLING SWIVEL BRACKETS

INSTALLATION

- Slide Towel Rail (4) into Wall Bracket (1) and Hold unit in position, with a pencil outline both brackets and remove from wall.
- Feed existing wall cable through bottom Wall Bracket (1), using a pencil and Wall Bracket (1) mark the centre of each screw hole and cross if it for accuracy
- Drill a hole for the Screws(3) and insert nylon plug into tiled wall (if applicable). Installer may choose to use alternative screws to suit the application. Installer MUST use a DIAMOND HEAD drill bit.

A QUALIFIED ELECTRICIAN MUST THEN CONNECT TOWEL RAIL ELEMENT TO EXISTING WALL CABLE.

- Using a pencil and the Top Wall Bracket (1) mark a centre for each screw hole, and cross for accuracy. Drill holes for the screws (3), & insert nylon plugs into tiled wall (if applicable).
- When the Top Wall Bracket (1) is in place, slide the Towel Rail (4) into position towards the wall.

DO NOT OVERTIGHTEN SCREW - LEAVE SLIGHT ADJUSTMENT OF THE FLANGE (SLACK) TO ENABLE MOVEMENT WHEN THE TOWEL RAIL IS POSITIONED.

- Insert Grub Screw (5) into Wall Brackets (1)
- With the Allen Key provided, tighten the Grub Screw until tight to ensure that towel rail stays in position.
- Push down on cover plate (6) and secure in place.

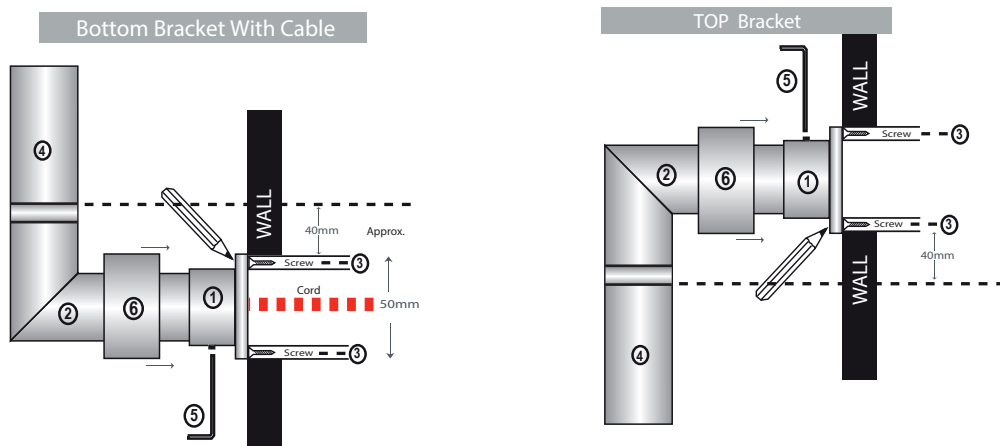
WARNING

TOWEL RAILS MUST ALWAYS BE INSTALLED WITH THE ELEMENT PLACED AT THE BOTTOM FOR CORRECT HEAT TRANSFER.

Please ensure that the measurements are taken accurately and that the screw is in a stud or noggin to provide support. Do not overtighten screws.

Please ensure a DIAMOND HEAD drill bit is used to drill screw and cord holes into tiled wall.

Hydrotherm take pride in the fact that all rails are individually hand made. Due to this fact some measurements may not be exact. PLEASE READ INSTRUCTIONS CAREFULLY and do not force towel rail into bracket if position of wall flange is not accurate.



TOWEL RAILS MUST ALWAYS BE INSTALLED WITH THE ELEMENT PLACED AT THE BOTTOM FOR CORRECT HEAT TRANSFER



WARNING:

This appliance is not intended for use by young children or infirm persons without supervision.

CAUTION:

The cord extension set must be positioned so that it is not subject to splashing or ingress of moisture. The supply shall have means for disconnection with an air gap in all active conductors incorporated in the fixed wiring according to the Wiring Rules in AS/NZS 3000:2000.

HARD WIRING

Hydrotherm recommends that all hard-wired heated towel rails be connected to a light switch or timer.

Connecting hard-wired heated towel rails to a light switch or timer will prolong the life of the electric element and reduce energy consumption.

Hydrotherm recommend the brand HPM and the model XLP770TRT, this particular unit is designed specifically for heated towel rails that is incorporated into a light switch panel.

REPLACING ELEMENT

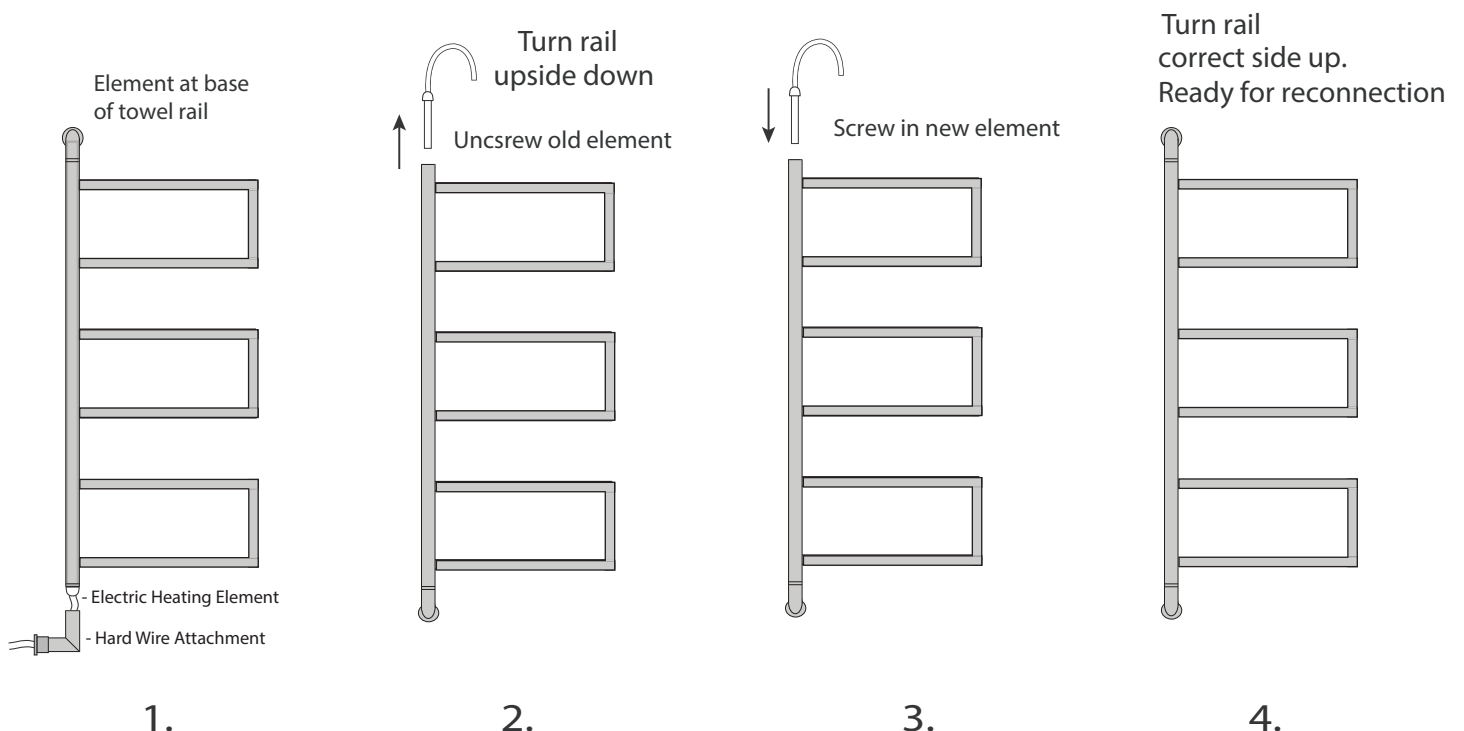
Replacing the electric heating element is quite a simple process

There are Four Basic Steps:

1. Remove towel rail from brackets (Qualified electrician must be used to disconnect rail). Remove Hard Wire Attachment
2. Turn the towel rail upside down and with a spanner loosen the hex nut of the electric element. When the element is loose, unscrew it by hand.
3. Replace with new element and screw in position.
4. Turn the towel rail the right way up and position back into brackets, refit grub screws to secure.
A qualified electrician can now be used to re-connect heated towel rail.

Please note:

Hydrotherm advise that the unit be removed from the wall and turned upside down to ensure that water does not spill. It is essential to ensure that the towel rail is always installed with the element at the bottom of the unit.



THE HYDROTHERM WARRANTY

At Hydrotherm we pride ourselves on the highest quality standards of design and manufacturing.

All Hydrotherm products come with a 10 year manufactures warranty on the construction and finish of our towel rails.

All electric heating elements are also covered by a 3 year manufactures warranty.



year

Construction & Finish
Manufacturers Warranty



year

Electric Element
Manufacturers Warranty

100% Australian Made and Owned

CARE DETAILS

This bathroom product should not be cleaned with abrasive materials eg. steel wool/scourers. Do not use any corrosive or abrasive cleaning agents containing acids or scouring agents. Bleaches can also discolour products and therefore should not be used. Damage caused by any improper treatment is not covered by the product warranty.

Disclaimer: Products in this specification manual must by regulation be installed by licensed and registered trade people. The manufacturer/distributor reserves the right to vary specifications or delete models from their range without prior notification. Dimensions are nominal measurements only. Dimensions and set-outs listed are correct at time of publication however the manufacturer/distributor takes no responsibility for printing errors.