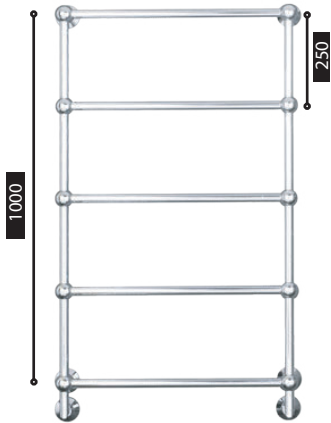


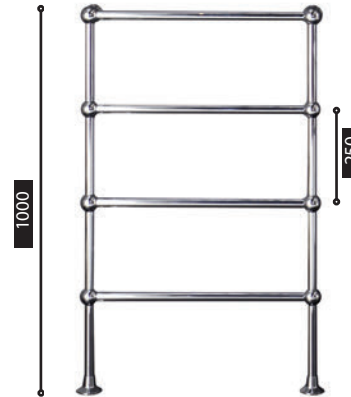
# HYDROTHERM B - SERIES TOWEL RAIL

HYDROTHERM  
T O W E L R A I L S



B - SERIES

Height: 1000mm + Hard Wire  
Width: 600mm (Standard)  
500mm, 700mm 800mm (Custom)  
Finish: Chrome, Black, Powder Coat  
Element: 100watt - 150watt



B - SERIES - FREE STANDING

Height: 1000mm + Hard Wire  
Width: 600mm (Standard)  
500mm, 700mm 800mm (Custom)  
Finish: Chrome, Black, Powder Coat  
Element: 100watt - 150watt

FEATURES	
Replaceable Element	Heating element easily replaced
Classic Design	Classical features of the B-Series bring a timeless elegance to your bathroom
Copper Tube	Ensures ultimate thermal conductivity and radiation. Note: arms do not move independently
Local Product	100% Australian owned and manufactured

SPECIFICATIONS	
Recommended use	Domestic, hotel and commercial
Materials	Made entirely from Copper Tube with Brass Fittings
Element	Low wattage, replaceable water element
Power Cable	Bottom of unit (Only) Left or Right Side -
Safety rating	IPX5 (allows for installation in zone 1 & 2 of bathroom)
Finish	High Polish Chrome Plate
Standards	AS/NZS:3350

**Warning:**

This appliance is not intended for use by young children or infirm persons without supervision. Young children should be supervised to ensure they do not play with this appliance

**Caution:**

Towel Rail must be installed so that the bottom rail is at least 600 mm above the floor to avoid a hazard for children. The cord extension set must be positioned so that it is not subject to splashing or ingress of moisture. The supply shall have means for disconnection with an air gap in all active conductors incorporated in the fixed wiring according to the Wiring Rules in AS/NZS 3000:2000

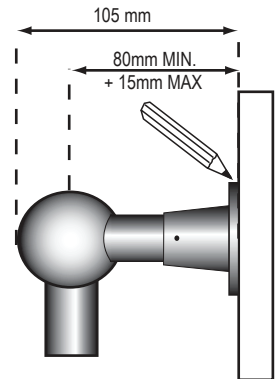
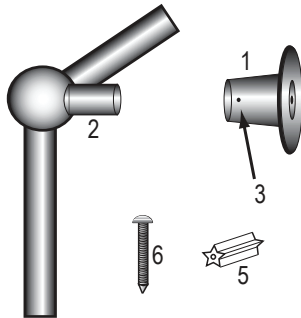


# B SERIES INSTALLATION -

## STEP 1

Slide the WALL BRACKET 1. into the BRACKET ARM 2.

Hold up to the wall in position and measure alignment of brackets on the wall.



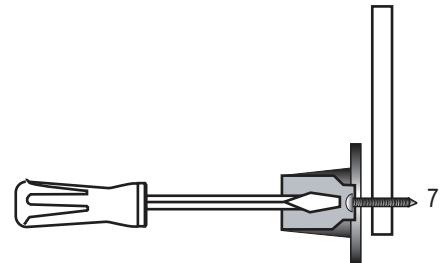
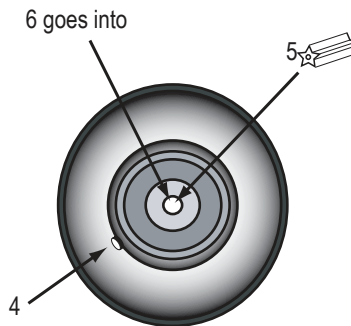
## STEP 2

When the brackets are in place, hold the towel rail up to the wall and with a pencil, mark around all the brackets so that you may align the unit.

## STEP 3

Remove the wall bracket from bracket arm.

Take one bracket and carefully drill the hole to insert the screw 7 (for tiled walls a masonry plug 5 should be placed in the wall).



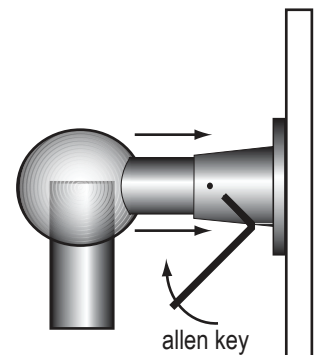
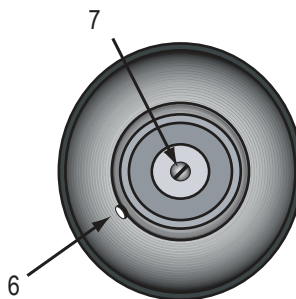
## STEP 4

Using the screws provided, the bracket may be screwed into place.

PLEASE NOTE: Do not over-tighten, as some sliding movement in the bracket is required to allow expansion and contraction of the heated metal.

## STEP 5

When the brackets are fixed to the wall, use the allen key to undo the screws 4 on the sides of the brackets.



## STEP 6

Slide the towel rail into place, then with the allen key secure the screw 4.

Do not tighten the screw 4 too much, as this will impede removal of the unit if required.

**TOWEL RAILS MUST ALWAYS BE INSTALLED WITH THE ELECTRIC ELEMENT POSITIONED AT THE BOTTOM OF THE UNIT FOR CORRECT HEAT TRANSFER**



# WIRING OPTIONS

The Hydrotherm B-Series Electric Towel rails come **pre-filled** with water, and with electric elements already fitted (standard on the left unless otherwise specified), a plug is supplied separately to be fitted by the installer.

## Plug in version

Plug is supplied with element cable (1200mm long). Cable may be cut and plug attached to required length.

## Hard-wired version

The cable may be hard-wired into the wall with an element attachment. This accessory is an optional extra and must be installed by a qualified electrician.

All hard-wired elements have an IPX Rating of IP55. (IPX5) for use in wet areas. Hydrotherm also recommend all electric towel rails be connected to a timer for convenience and to prolong the life of the element.

## Double hard-wired version

An optional second hard-wire attachment and fitting is available to match the existing single hard-wire attachment.

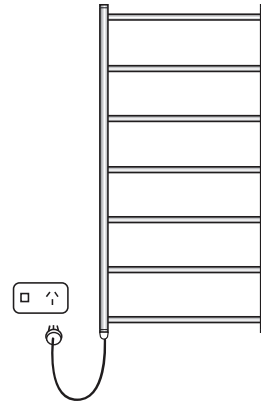
All Hydrotherm Elements carry the following approvals.



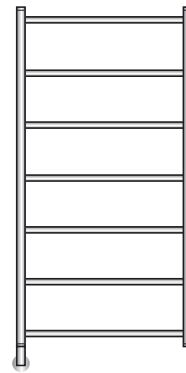
Elements have a built in thermostat and internal cut out ensuring safety and energy efficiency.

All Hydrotherm electric elements can be supplied as 240v or 110v.

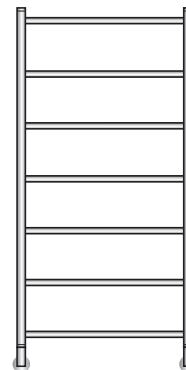
All electric elements are replaceable and can be easily changed over.



PLUG IN VERSION

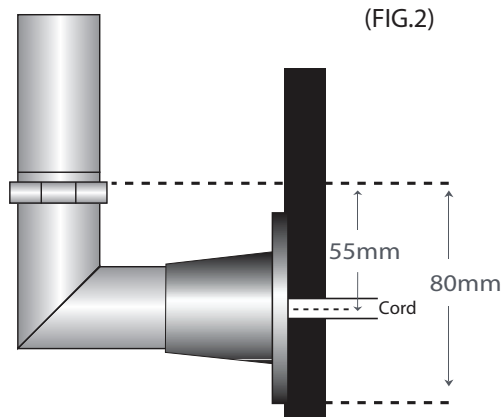


HARD-WIRED VERSION



DOUBLE HARD-WIRED VERSION

## HARD-WIRE ATTACHMENT



## HARD WIRING

Hydrotherm recommends that all hard-wired heated towel rails be connected to a light switch or timer.

Connecting hard-wired heated towel rails to a light switch or timer will prolong the life of the electric element and reduce energy consumption.

Hydrotherm recommend the brand HPM and the model XLP770TRT, this particular unit is designed specifically for heated towel rails that is incorporated into a light switch panel.

# INSTALLATION INSTRUCTIONS

## Installing Free Standing B - Series Wiring

**Wiring through the floor must be organised prior to laying floor tiles etc.** A cable flex connected to an isolating switch or timer must be brought up through a 10mm hole in the floor for connection in the bottom leg of the towel rail.

**DO NOT MAKE THE HOLE IN TILES LARGER THAN 20mm**

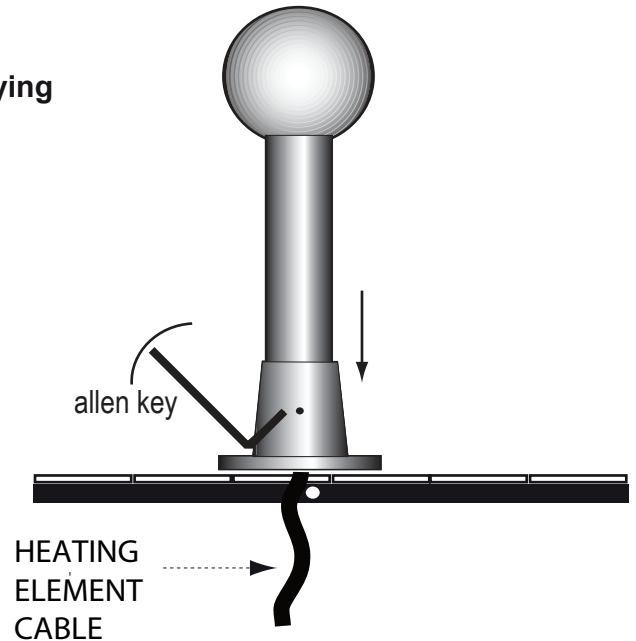
It is recommend that the wiring be connected to an RCD and silicon applied to the leg of the rail after wiring connection has been made.

### Installing on a Concrete Slab.

If your home is on a concrete slab, a 20mm conduit line must be run from the isolating switch to the towel rail. This can be placed underneath tiling or between mesh. (see Figure 2)

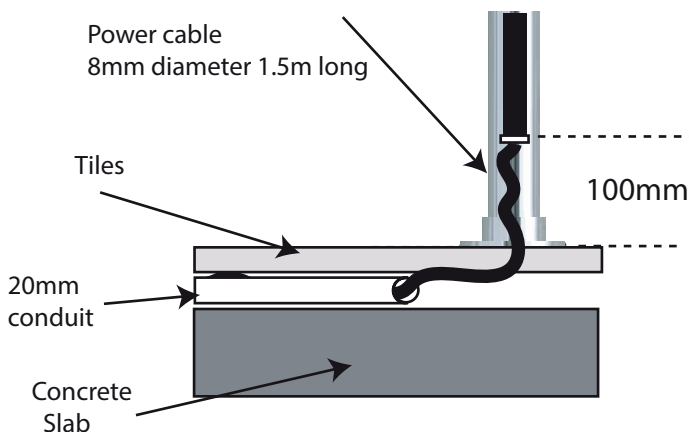
It is essential that the electrician leaves some slack in the cord inside the bottom leg of the towel rail for disconnection in the future

For further information please contact Hydrotherm.



Bring up cable flex through 10mm hole in floor tiles to make internal connection in leg of towel rail.

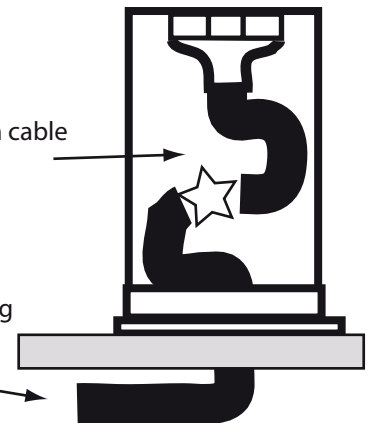
### Figure 3 Concrete Slab with conduit



### Figure 2

Make electric cable connection inside 25mm tube. Ensure extra slack in cable for disconnection in future.

Connecting to an isolating switch or timer. Must be laid prior to installing floor tiles.



### WARNING:

Heating element must always be positioned at the bottom of the unit for correct water flow, and heat transfer.

# CHANGING ELEMENTS

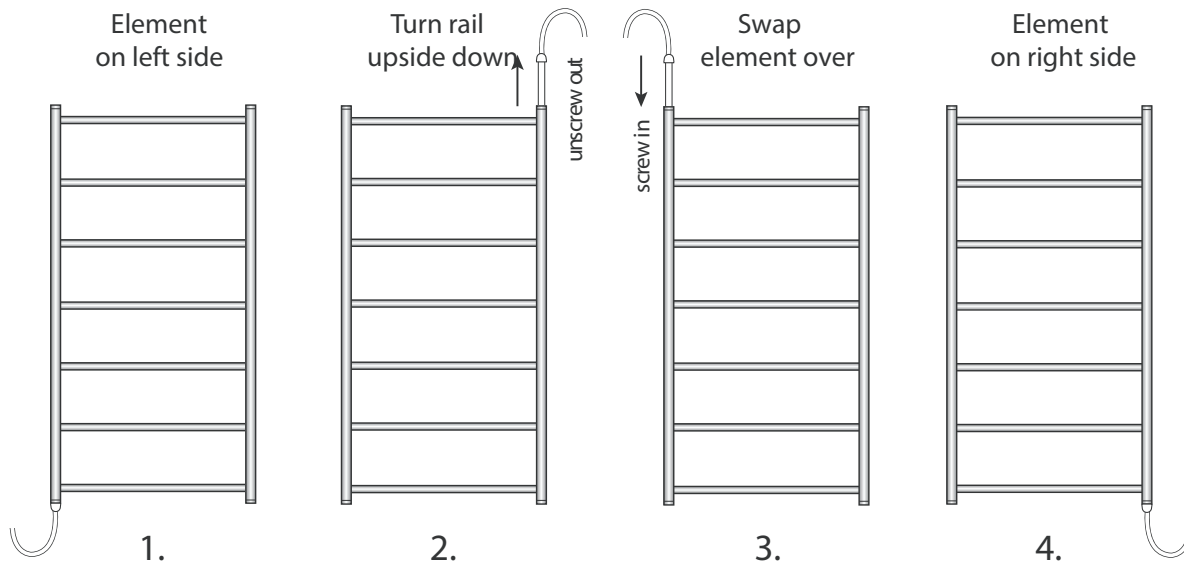
To change an element from one side to the other, or to replace an old element is a very simple process.

## There are Four Basic Steps:

1. Remove towel rail from brackets (if already installed)
2. Turn the towel rail upside down and with a spanner loosen the hex nut of the electric element. When the element is loose, unscrew it by hand. If you are changing the element from left to right or vice versa, the internal plug on the opposite side must also be removed and swapped over with the element.
3. Swap the element and screw in place.
4. Turn the towel rail the right way up and position back into brackets and refit grub screws to secure

### Please note:

Hydrotherm advise that the unit be removed from the wall and turned upside down to ensure that water does not spill. Ensure element always remains at bottom of towel rail



## THE HYDROTHERM WARRANTY

At Hydrotherm we pride ourselves on the highest quality standards of design and manufacturing. All Hydrotherm products come with a 10 year manufactures warranty on the construction and finish of our towel rails. All electric heating elements are also covered by a 3 year manufactures warranty.



year

Construction & Finish  
Manufacturers Warranty



year

Electric Element  
Manufacturers Warranty

### CLEANING RECOMMENDATIONS

This bathroom product should not be cleaned with abrasive materials eg. steel wool/scourers. Do not use any corrosive or abrasive cleaning agents containing acids or scouring agents. Bleaches can also discolour products and therefore should not be used. Damage caused by any improper treatment is not covered by the product warranty.

Disclaimer: Products in this specification manual must by regulation be installed by licensed and registered trade people. The manufacturer/distributor reserves the right to vary specifications or delete models from their range without prior notification. Dimensions are nominal measurements only. Dimensions and set-outs listed are correct at time of publication however the manufacturer/distributor takes no responsibility for printing errors.

100% Australian Made and Owned