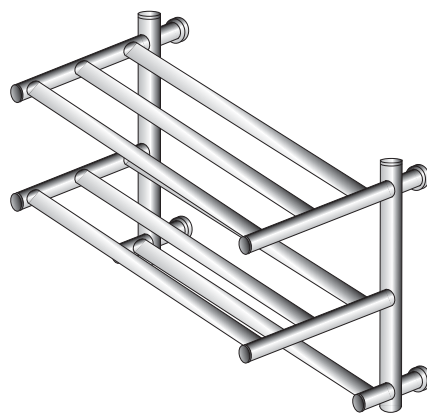




## Technical Specification Guide

### **S -SERIES** HEATED TOWEL SHELF



\* BRACKET DETAILS & INSTALLATION GUIDE

\* WIRING INSTRUCTIONS & CHANGING ELEMENTS

**HYDROTHERM AUSTRALIA PTY. LTD.**

96 COMMERCIAL DRIVE THOMASTOWN , VICTORIA 3074 AUSTRALIA

TEL +61 (0)3 9464 4622 FAX: +61 (0)3 9464 4722 EMAIL: info@hydrotherm.com.au

[www.hydrotherm.com.au](http://www.hydrotherm.com.au)

# S SERIES (HEATED TOWEL SHELF)

The S-Series introduces a new dimension to the Hydrotherm range. The heated towel shelf provides a modern and fashionable solution for storing and presenting warm, dry towels. With clean lines and featured contours the S-Series is the perfect combination of flair and functionality.

Available in two widths 500mm or 700mm wide.

## Models

- Electric
- Non-Heated

## Finish

- High Polished Chrome

## Rungs

- 3 Levels spaced 150mm apart
- 3 rungs on top 2 levels spaced 110mm apart

## Height

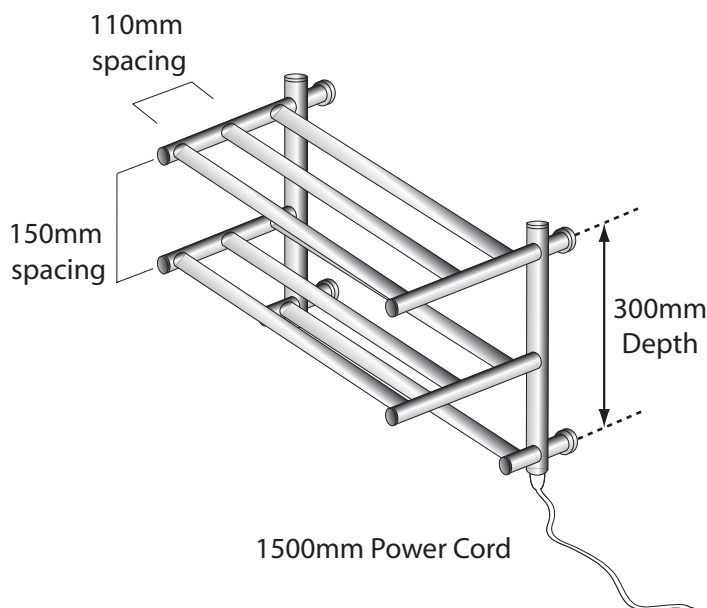
- 300mm

## Power

- 100 Watt ,
- Water Immersion Element
- IP 55 Rating

## Available Widths

- 500mm, 700mm



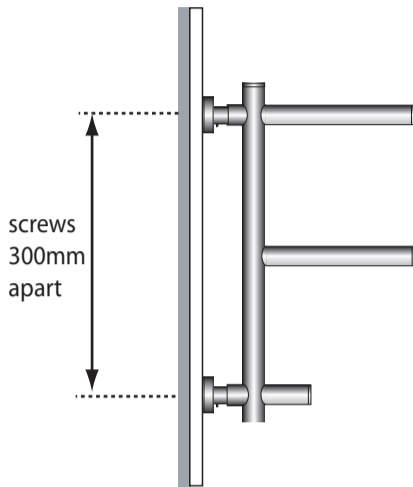
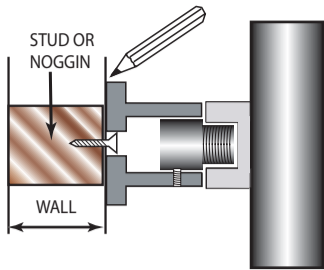
Models	Voltage	Watts	Vertical Tube Diametre	Horizontal Tube Diametre	Overall Height	Overall Width includes fixings	Width C/C Vertical Tubes	Depth
S - 500	240 / 110	100	32mm	19mm	400mm	540mm	500mm	280mm
S- 700	240 / 110	100	32mm	19mm	400mm	740mm	700mm	280mm

Manufactured by Hydrotherm Australia , 96 Commercial Drive Thomastown Victoria 3074  
 Tel: +61 3 9464 4622 Fax: +61 3 9464 4722 Web: [www.hydrotherm.com.au](http://www.hydrotherm.com.au) Email: [info@hydrotherm.com.au](mailto:info@hydrotherm.com.au)

This appliance is not intended for use by young children or infirm persons without supervision.  
 Towel Rail must be installed so that the bottom rail is at least 600 mm above the floor to avoid a hazard for children.  
 The cord extension set must be positioned so that it is not subject to splashing or ingress of moisture .  
 The supply shall have means for disconnection with an air gap in all active conductors incorporated in the fixed wiring according to the Wiring Rules in AS/NZS 3000:2000



# INSTALLING BRACKETS



STANDARD

To position the towel rail on the wall, assemble the bracket on to the rail (see installing brackets below).

Using a pencil mark the position of the wall flange. Take the flange off the rail, hold up to the marked position on the wall and mark the centre.

Ensure that the measurements are taken accurately and that the screw is in a stud or noggin to provide support. Do not overtighten screws

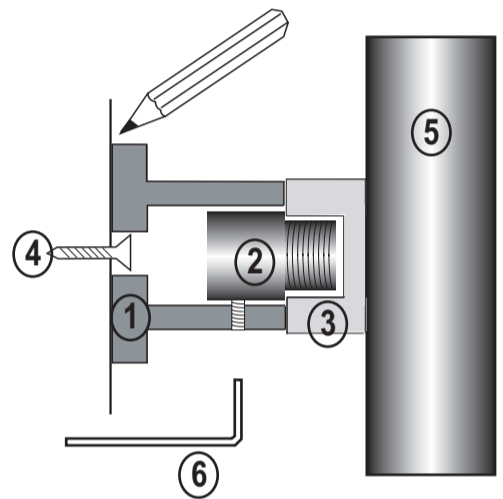
Screw holes should be either 500mm or 700mm wide apart and 300mm apart in height.

## WARNING:

**Do not force towel rail into bracket** if position of wall flange is not accurate. Hydrotherm will not take responsibility for incorrect installation resulting in broken brackets.

## Installation Instructions:

- \* Screw adjustable **shaft** ② into the **back socket** ③.
- \* Slide the **wall flange cylinder** ① over the **shaft** ② and hold up to the wall.
- \* With a pencil, outline the **wall flange** ① in the desired position and remove from the wall.
- \* Using a **flange** ①, mark the centre screw hole with pencil.
- \* Drill a hole for the **screw** ④ and insert nylon plug into tiled wall (if applicable). Installer may choose to use alternative screws to suit the application.
- \* Position wall **flange** ① and place **screw** ④ into the wall, Screw in firm, but allow slight adjustment of the flange (slack) to enable movement when the towel rail is positioned.
- \* When all of the **flanges** ① are in place, slide the **towel rail** ⑤ in position towards the wall, until the flange reaches the **back socket** ③.
- \* With the **alen key** ⑥ provided tighten the cylinder of the **flange** ① on to the adjustable **shaft** ② to ensure rail stays in position.



- |                          |                         |
|--------------------------|-------------------------|
| ① Wall Flange & Cylinder | ④ Wall Screw**          |
| ② Adjustable Shaft       | ⑤ Hydrotherm Towel Rail |
| ③ Back Socket            | ⑥ Alen Key & Grub Screw |

\*\*INSTALLER MAY CHOOSE NOT TO USE SCREW IF NOT SUITABLE FOR APPLICATION

**Hydrotherm will not accept responsibility for incorrectly installed brackets. Please read instructions carefully.**

